

# DT20 Series

## Day Timer with 20 Programmable Presets

### Features

- 24 Hour (AM & PM), 7 Day Programming
- 20 Programs Provide Up To 10 ON & 10 OFF Events Per Day / Week
- Rechargeable Battery Backup With 100 Hour Carry-Over
- 16 Amp, SPDT Relay
- Manual Override
- Several Mounting Styles Available



The DT20 is a compact electronic 24 hour/7 day time switch module, with heavy duty relay contacts for switching low or line voltage loads. Applicable for time of day control of pumps, fans, heaters, HVAC control circuits, lighting, machinery and many other types of commercial, industrial, and agricultural equipment.

All models feature large keys with unique "circular programming" for easy programming, a large LCD display and battery backup.

### TECHNICAL DATA:

<b>Channels:</b>	1
<b>Programs:</b>	20
<b>Manual 3 way override:</b>	On-Auto-Off
<b>Shortest switching time:</b>	1 minute
<b>Reserve carryover:</b>	100 Hours
<b>Input voltage:</b>	24VAC/DC 120VAC 208/240VAC
<b>Switching output:</b>	SPDT relay
<b>Switch ratings:</b>	16A @ 277VAC 25ma, 40VDC 1000W Tungsten @ 250VAC 500W @ 125VAC

**Input draw:** 4VA

**Input frequency:** 50 or 60Hz

**Wiring connections:** 1/4" quick connects

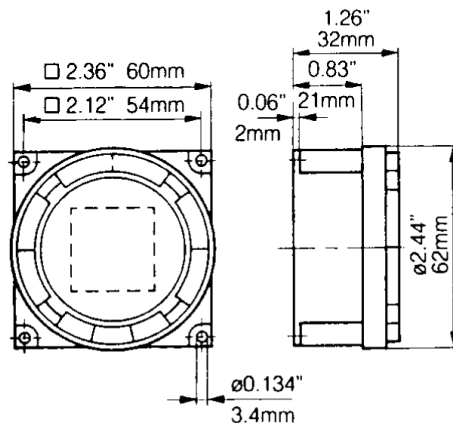
**Ambient temperature:** -20° F to 140° F (-28° C to 60° C)

**Approvals:** UL and Canadian UL recognized: File E83486

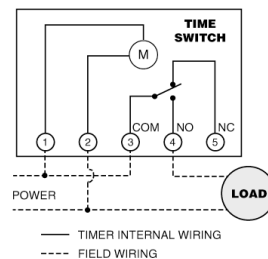
### MOUNTING OPTIONS:

The standard DT20 models may be surface mounted inside a panel or flush mounted with DTA-PH Base mounting kit, available from KEP. Indoor NEMA 1 (DTA-E150), and outdoor NEMA 3R (DTA-E200) enclosures are available for stand-alone mounting.

### Dimensions



### Terminal Connections

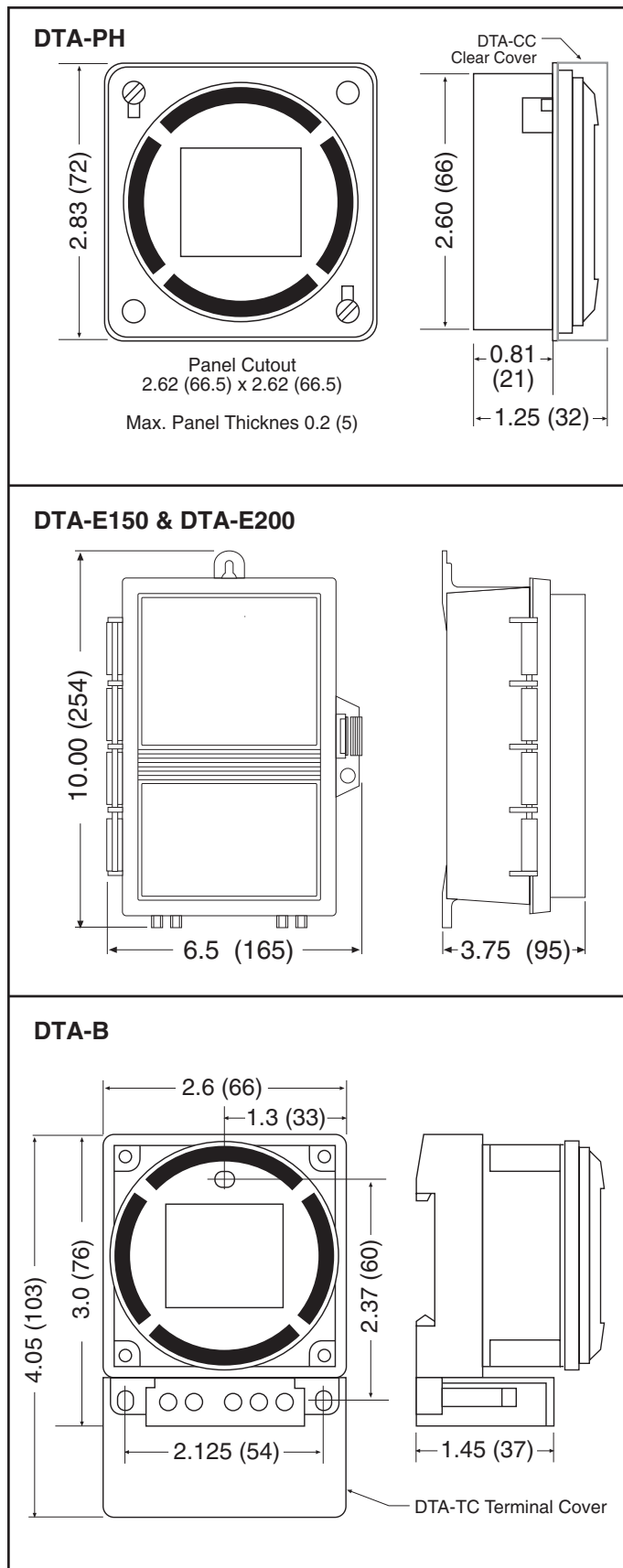


### CAUTION!

#### RISK OF ELECTRIC SHOCK

Turn power off at main panel before servicing the DT42 or the equipment it controls.

## Additional Mounting Options:



## DT20 Day Timer

### How To Order:

**Example:** DT20 A

**Series:** DT20 = Day Timer

### Operating Voltage:

- A= 110 VAC
- B= 220 VAC
- C= 24 V AC/DC

### Mounting Accessories

- DTA-PH = Panel Housing for Panel Mount
- DTA-CC= Clear Cover for Panel Housing (DTA-PH)
- DTA-B= Base with Screw Terminal  
(not for panel mounting)
- DTA-TC= Terminal Cover for DTA-B
- DTA-E150= Indoor Enclosure
- DTA-E200= Outdoor Enclosure