

# K192

## LCD Counter Module for PCB Mount

### Features

- Suitable for portable devices, vending and gaming machines, printers and copiers
- Can be used for simple counting, length- and distance measurement.
- Non-volatile memory (no battery)
- Wide temperature range and wide voltage supply range
- Very high reliability
- Small size and low cost

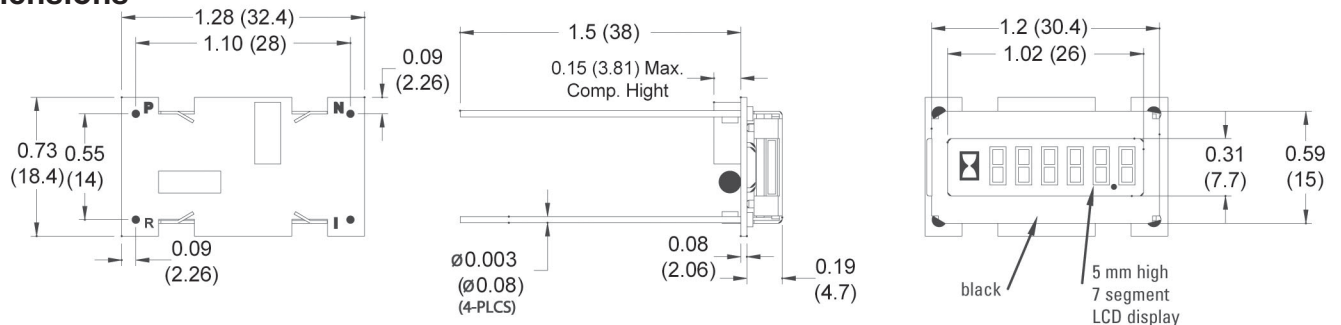


- Low operating current
- Very high shock and vibration resistance

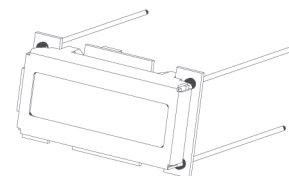
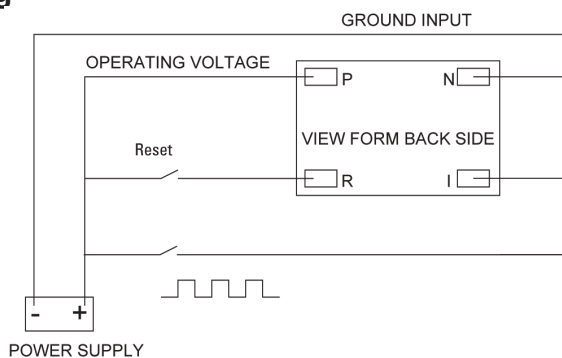
### Specifications

Supply	8 ... 28 V DC with reverse polarity protection	Humidity:	95 % RH +32 C for 2 hours
Current consumption:	3 mA maximum at 8 ... 24 V DC 10 mA at 28 V DC	EMC:	according to EC EMC directive 89/36/EWG
Count and reset input:	8 ... 28 V DC	Interference emission:	EN 50081-2/EN 55 011 Class B
Max. Count frequency:	100 Hz	Interference resistance:	EN 61000-6-2
Display:	6-digit display, figure height 5 mm	Weight:	approximately 8 g
Data backup:	EEPROM	Memory capacity:	CMOS EEPROM. Nonvolatile memory has data retention in excess of 10 years without power.
Housing:	Dimension 19 x 33 mm Colour: black	Protection from:	i nductive swithcing, alternator load dump
Operating temperature:	-40 ... +85 °C		

### Dimensions



### Wiring



### Ordering Information

K192 = LCD PCB Mount Counter