

# W15 Series

## Low Cost, Reset Totalizer

### Features

- Super Low Power
- 5 Digits
- 3 Mounting Styles
- 2 Termination Types
- Resettable
- Optional Extended Temperatures
- Low Cost



### Applications:

W15 Series counters are well suited for battery operated traffic counters, vending machines, message accounting systems, and general event counting where a reset is required.

### Description:

The W15 Series 5 digit counters combine low 60mW power and reset capability in a small housing just .790" high and 1.22" wide. The proven armature phase system combined with an anti-shock/vibration driving system provides a high degree of counting accuracy. Wear-resistant plastic insures a high rate of maintenance free service life.

### Specifications:

**Digits:** Five 0.067" white on black.

**Weight:** 1.8 oz.

#### Operating Voltages:

3, 4, 6, 9, 12 VDC filtered  $\pm 5\%$

4, 6, 12, 24, 48, 110, 185 VDC unfiltered  $\pm 10\%$ .

12, 24, 48, 110, 220 VAC.

**Reset:** Manual, front push-button

**Count Speed:** 10 cps standard; 8 cps (low power-filtered)

**Max. on Time:** continuous

**Temperature:** +14°F to +122°F (-10°C to +50°C) standard. -22°F to +158°F (-30°C to +70 °C) optional.

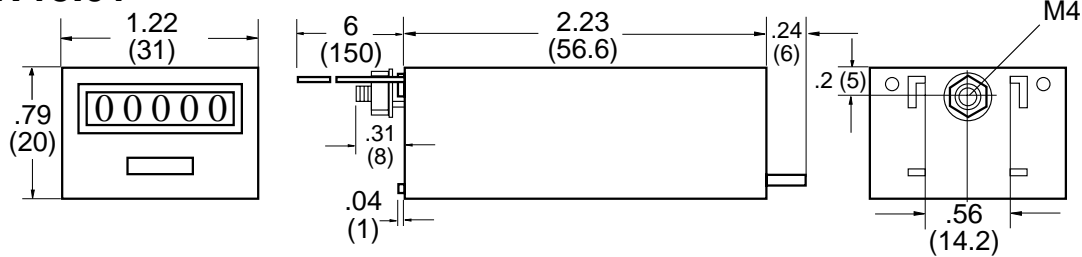
**Termination:** Wire leads 6" long or silver-plated pins 0.060" dia.

**Color of Housing:** Black

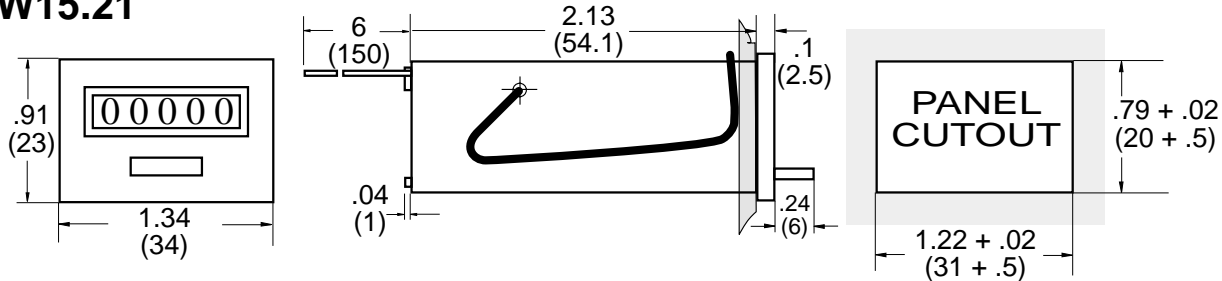
**Approvals:** CE Approved

| Voltage | Model        | Max. Pulse Speed | Pulse Duration Min. | Pulse Interval Min. | Power Consump. Approx.                   |
|---------|--------------|------------------|---------------------|---------------------|--|
| VDC     | Filtered     | 8                | 50 mS               | 75 mS               | 60 mW                                    |
| VDC     | Non-filtered | 10               | 50 mS               | 50 mS               | 0.5W ( $\leq 110V$ )<br>1W (185V)        |
| VAC     |              | 10               | 50 mS               | 50 mS               | 0.75 VA ( $\leq 110V$ )<br>1.5 VA (220V) |

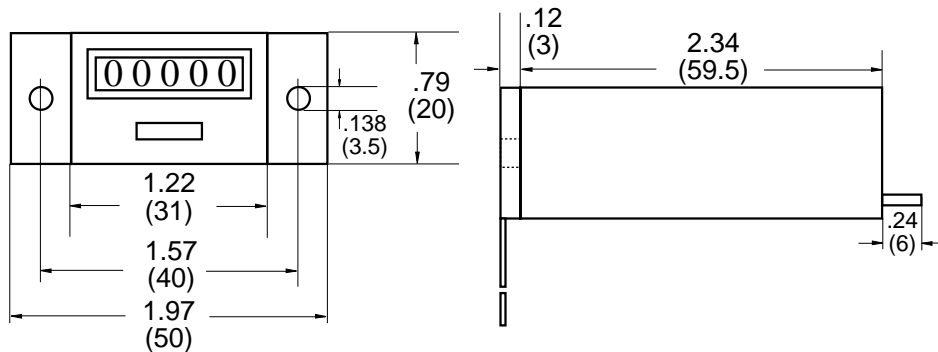
### W15.01



### W15.21



### AW15.01



#### How To Order:

**EXAMPLE:** W15.01 .3 5VDC 10CPS

| Series   | Termination  | Operating Voltage  | Count Speed  |
|--|--|--|--|
| AW15.01 = Base mount<br>W15.01 = Rear stud mount<br>W15.21 = Spring clip mount | .3 = .060" (1.5mm) Solder pins (not available with AW type)<br>.2 = Wire leads 6" long | (specify, see count speed)<br>DC: 3, 4, 6, 9, 12, 24, 110, 185<br>AC: 12, 24, 110, 220 | 8 CPS: 60 mW DC; available voltages 3, 4, 6, 9, 12 VDC<br>10 CPS: 500 mW DC; available voltages 4, 6, 12, 24, 110, 185 VDC<br>10 CPS: .75 VA; available voltages 12, 24, 110VAC; 1.5 VA, 220 VAC |

**Options**  
 Extended temperature: -22°F to +158°F (-30°C to +70°C) add prefix "HT" to part number