

KAL-DIN AS

Miniature, Low Cost Add-Subtract Counter

Features

- UL, CSA Listed, CE Certified
- 8 Digits Standard
- Meets NEMA 4X and IP65 Ratings
- Long Life Lithium Battery (10 years)
- 10 kHz Count Speed
- Add and Subtract Counter

Description:

The KAL-DAS is a small add-subtract counter suitable for panel mounting and is powered by an internal lithium battery with an operating expectancy of 10 years. The counter is designed as a replacement for standard electro-mechanical counters. It has a front panel reset button which, for security, is enabled by an external connection to the rear of the unit. Based on the latest CMOS technology, these units incorporate an 8 digit, 0.276" character height, high contrast, LCD display.

The KAL-DAS will add and subtract pulses at count frequencies up to 10 kHz displaying 99999999 when it counts below 0. No separate alkaline batteries are required.

Connections are via .025 inch square posts (push on connector with 9" leads supplied with units). When installed, with the gasket provided, the unit meets NEMA 4X/IP65 ratings from the front.

Specifications:

- Power:** Internal lithium battery
Display: 8 digit black LCD, Digit size 0.276" high
Reset: Panel or remote
Temperature Range: +14 to 140°F (-10 to 60°C)



Signal Input:

- COMMON (Pin 1)**
RESET ENABLE (Pin 2)- Link to COMMON to enable front panel reset key.
EXTERNAL RESET (PIN 3)-external via dry contact or open collector, negative edge triggered, 0.7 V threshold. Minimum pulse 15 mS.
DIRECTION INPUT (Pin 4)-Electronic input, TTL/CMOS compatible.
 Add: open or 3-18 VDC
 Sub: Contact to Pin 1 or <0.7V
 Direction level must precede count input by 5µs for valid operation.
COUNT INPUT (Pin 5)-Electronic input, 10KHz max., negative edge triggered,
 Low: < 0.7V,
 High: 3 to 18 V or open.
 ON/OFF pulse 50µS TTL and CMOS compatible (18 V max.)

NOTE: All inputs have Schmitt characteristics.

Approvals: UL File: E135458, CSA File: LR96702, CE Approved

Material: ABS

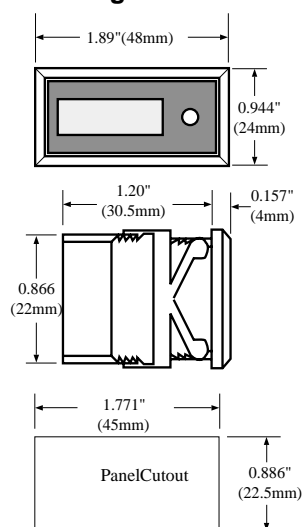
Weight: 1.7 oz.

Battery Life: 10 years (calculated)

Connection: 5 pin, plug in connector with 9" leads supplied with counter.

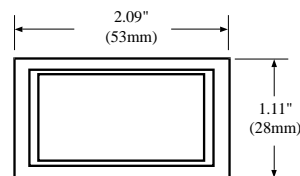
Sealing: Front Panel sealed to NEMA 4X/IP65

Mounting:

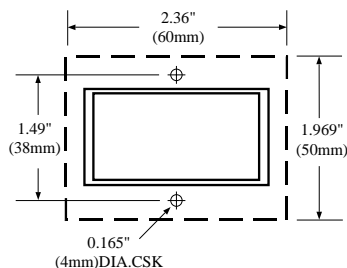


Adaptors (included)

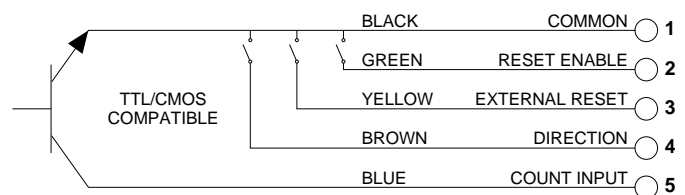
KAL-DP1X2



KAL-DP1



KAL-DAS WIRING DIAGRAM



How To Order:

- KAL-DAS 8 digit add/subtract counter
 KAL-DTB Snap-on terminal block adaptor
 KAL-DQUAD Snap-on quadrature input adaptor

Accessories

N7 - Explosion proof housing (see accessories section)