

K Series

Features

- Add and Subtract Counter
- Accepts Simultaneous Inputs
- Built-In Battery Backup
- 8 Digit LED Display
- Optically Isolated Inputs
- Accepts AC or DC pulses & Switch Closure Inputs
- 1" x 2" (25 x 50 mm) Standard Case Size

Applications:

Ideal when small size and fast count speeds are needed. Uses include piece part totals, flow totalization and other OEM machinery needing a simple LED totalizer.

Description:

The K series is a 4 or 8 digit totalizer electronic counter. Its unique count input accurately registers simultaneous overlapping pulses, is optically isolated, and accepts counts at speeds up to 100 kHz. Further, the K series has a "built-in" battery to protect against power failures, can be powered with DC voltage and pulsed with AC or DC voltages, and is built with CMOS L.S.I. circuitry. In addition, all K series 4 digit counters have open collector logic level zero output as an optional feature. The K series 5-30 VDC power, small size and standard built-in battery makes it the perfect counter for those demanding applications where good looks, long life, and a secure count are important.

Specifications:

Count Speed: 0-100 kHz

Reset: Follows count input selected above, overrides count and triggers on leading edge.

Number of Digits: 8; at 99999999 all digits "roll" to zero for continued counting.

Digit Size .170" high standard.

Power Supply: 5-30 VDC regulated or unregulated.

Current Consumption: 80 milliamps with all 8 digits lit to number 8.

Power Interruptions: Built-in battery. Power may be interrupted for up to 1 week without loss of count. Counter may be stored for six months before 24 hours operation will be needed for battery recharge. While on standby, display blanks to conserve energy.

Miniature Electronic Counter



Count Input: Five inputs may be selected.

SP: Simultaneous Pulses - Positive going signals from 5 V to 30 VDC. Simultaneous overlapping add and subtract pulses are accurately registered to 15,000 counts per minute, 2 millisecond minimum pulse widths. 10 kOhm impedance.

H: High Impedance - 0-100 kHz non-simultaneous input operation standard. Separate add and subtract inputs or common data input together with up/down control line. Input impedance is 10 K ohm. Use with 715-1 shaft encoder.

V: AC Pulses - AC pulses 120 VAC. 50 counts per second. 75 K ohms impedance.

O: Optically Isolated - 1500 Hz maximum input

S: Up/Down Control - Use this with KEP encoder model 715-2. 5 VDC positive going pulses are fed into a single terminal. When held high, the up/down control line adds the incoming pulses to the total. When allowed to go low, the incoming pulses are subtracted from the total. 10 K ohm impedance.

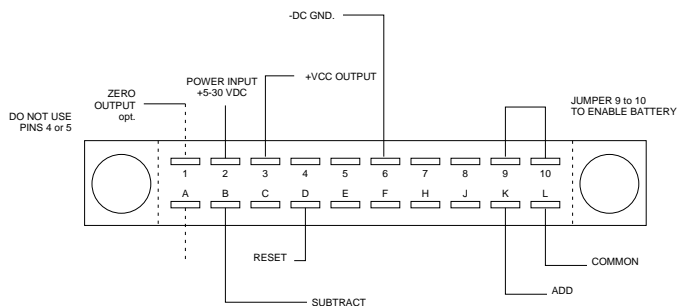
Mounting: Panel mounted or "spring clip".

Termination: Printed circuit board edge connector supplied-standard

Zero Output: Logic level zero output provides 300 milliamps of switching power whenever the counter passes through or idles at zero This option is available in 4 digit models only.

Temperature: +32°F (0°C) to +130°F (+54°C)

HOOKUP



INPUT WIRING

SWITCH CLOSURE (Input H)

- ADD K TO 2
- SUB B TO 2
- RES D TO 2

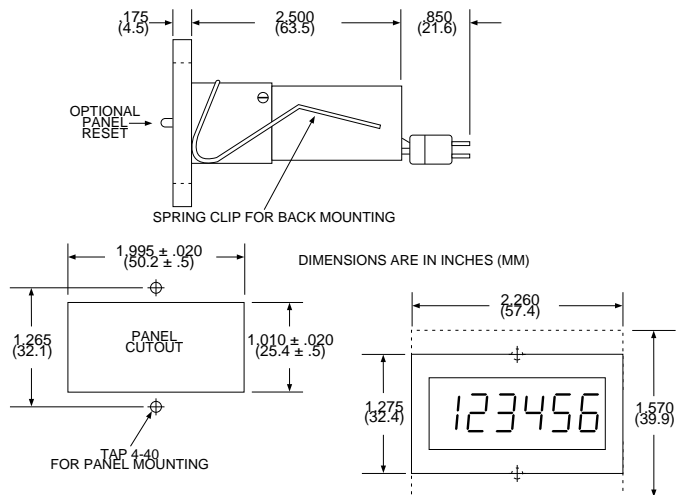
DC PULSES (Input H)

- ADD K PLUS 6 GROUND
- SUB B PLUS 6 GROUND
- RES D PLUS 6 GROUND

OPTICALLY ISOLATED AND AC PULSES (Inputs SP & V)

- ADD K
- SUB B
- RES D
- COM L

MOUNTING



How To Order;

EX: K 0 8 2 3 SP(12) B 2 A Z.O. 50Hz

Series	K
Function	0 = Totalize function 1 = Add/Subtract
Digits	4 = 4 Digits 8 = 8 Digits
Mounting	1 = Panel mounting 2 = Spring clip
Reset	1 = Panel push-button 2 = Remote 3 = Both
Input to Count	SP () = Optically isolated. Accepts simultaneous pulses. Specify voltage 5-30 VDC. H () = Voltage pulse, 3-30 VDC. V () = AC pulses, 120 VAC for counts speeds to 50 CPS O () = Voltage - Optically isolated DC inputs S () = Voltage - up/down control.
Digit Size	B = 170" standard
Power Supply	1 = 12 VDC 2 = 24 VDC 7 = 5 VDC (must be regulated ± 5%)
Power Quality	A = Regulated B = Unregulated
Options	Z.O. = Zero output (4 digit models)

Count Speed (specify actual speed)

- 0-10KHz
- Over 10KHz
- Over 100KHz

Accessories

- 115-5 Power Supply