

XHV Series

X-Proof Housing for Viewing Displays in Hazardous Areas

Features:

- Available for 1/8 DIN and DIN 144 x 72 mm Cases
- Meets NEMA 7 & 4 Specs.
- For use in Class 1, Division 1, Groups C & D
- For use in Class 2 & 3, Division 1, Groups E, F & G
- UL, cUL Approved
- Magnetic Reset Switch Available

Specifications:

This housing is designed and manufactured in compliance with UL Standard No. 1203 and was investigated to CSA Standard C22.2 No. 30-M1986 by UL for use in Class 1, Division 1, Groups C & D and Class II & III, Division I, Groups E, F & G hazardous locations.

Certified by:

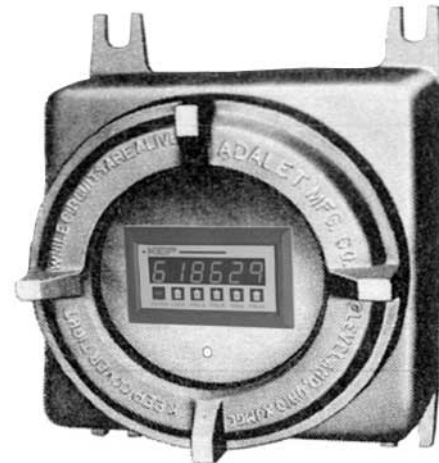
ADALET
UL (file# E81696)

The housing is made from cast aluminum and sealed to meet NEMA 7 and 4 specifications.

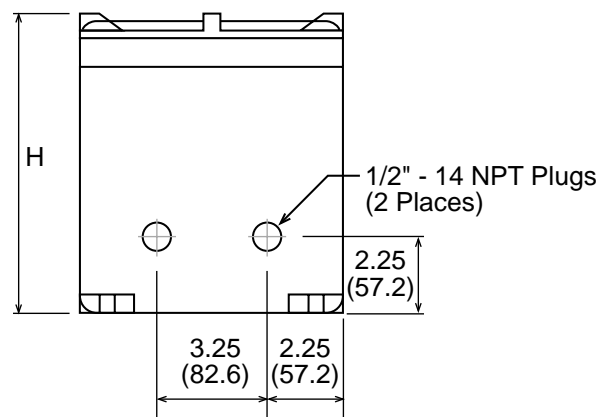
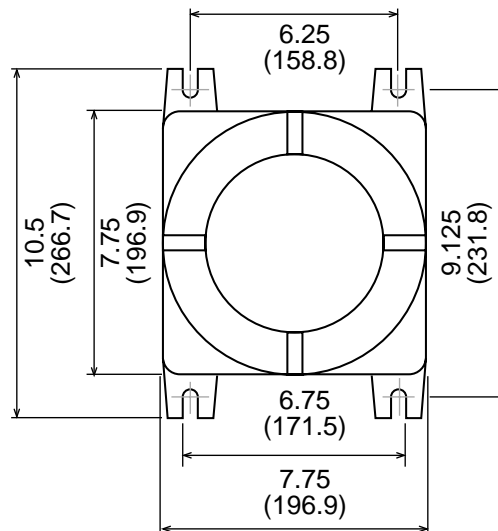
To install a unit, the cover must be removed and the KEP unit mounted in the sub panel provided.

Empty weight:

XHV = 19 lbs.
XHVD = 22 lbs.



Dimensions:



H
XHV = 8.5 (215.9)
XHVD = 11.5 (292.1)

Ordering Information

Example: XHV 7/4 A A S1
Series: _____ | _____ | _____ | _____

XHV 7/4 (8.5" high for INT69, MRT, Reporter, etc.)
XHVD 7/4 (11.5" high for Supertrol 1 and 2)

Mounting Sub Panel: _____ | _____ | _____
A = Panel for (1) 1/8 DIN unit (INT69, MRT, etc.)
B = Panel for (2) 1/8 DIN units (INT69, MRT, etc.)
C = Panel for (1) DIN 144 x 72mm unit (ST1, ST2, LT2, Reporter)

Assembly By KEP: _____
A = Assembled by KEP
X = No Assembly

Options: _____
S1 = 1 Magnetic Reset Switch and Magnet
S2 = 2 Magnetic Reset Switches and Magnet

Accessories:

XHVA-1 = Magnetic Switch
XHVA-2 = Actuating Magnet

Note: When placing the order, the unit part number directly following the XHV part number on the Purchase Order is the one that will be assembled into the XHV housing.