

Squirt-R

Loop Powered Indicator

Features

- Linear or Square Root Extraction of Input
- 3 1/2 or 4 1/2 Digit Display (Selectable)
- Calibration, High and Low Values Fully Programmable Through Keypad
- NEMA 4X / IP65 Front
- No Dipswitches or Pots to Adjust
- 16 Bit A/D Resolution
- Password Protection of Menu



Description:

Featuring up to 4 1/2 digits of display, the Squirt-R is a loop powered indicator capable of accepting either linear or square root 4-20 mA inputs. Numeric password protection prevents unauthorized access to the menu. The easy-to-read menu prompts make the Squirt-R so easy to program that you will feel comfortable programming it without the use of a manual.

Specifications:

Power:

Loop powered 4-20 mA

Internal Battery (Setup memory storage only):

3 V 250 mA-H Lithium (2 yr. Standby life)

Display:

Display: (selectable decimal)

3.5 or 4.5 Digits (selectable), 0.35" High, Display updates once every two seconds.

Rate Descriptors: /SEC, /MIN, /HR or "blank"

Units Descriptors: GAL, LIT, FT3, M3, "blank"

Low Battery Error Detection: "BAT" descriptor & flashing display

Under/Over range Indication: Display flashes when out of range

Environmental:

OPERATING TEMPERATURE

-4°F (-20°C) to + 158°F (70°C)

Extended Temp: -22°F (-30°C) to + 158°F (70°C)

HUMIDITY

0 - 90% Noncondensing

Listing: CE Compliant

Accuracy: (Rate @ 20°C)

0.1% Full Scale Resolution

Temperature Drift:

50 ppm/°C Typical

200 ppm/°C Worst Case

Lockout:

Password: Unauthorized menu changes can be prevented by entering a user selectable password (5 digit number).

Jumper: An internal jumper shunt is provided for a "sealed" menu lockout. Install the jumper to enable the lock.

Inputs:

Signal Input:

Full Scale Range: 4 to 20 mA DC

Loop Voltage Drop: 6 Volts Maximum

Reverse Polarity Protected

Over Current Protection to 60 mA

16 Bit resolution; 1 sample every 2 seconds

Low Cutoff supplied to inhibit indications at low flow rates.

Calibration & Operation:

Input Scaling: Via front keypad

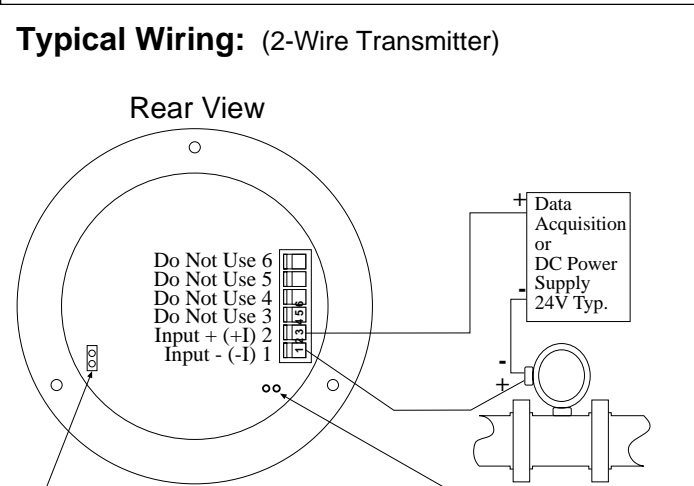
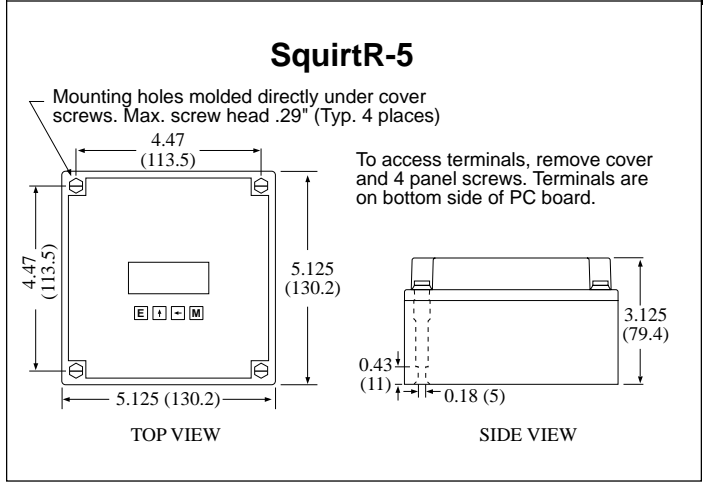
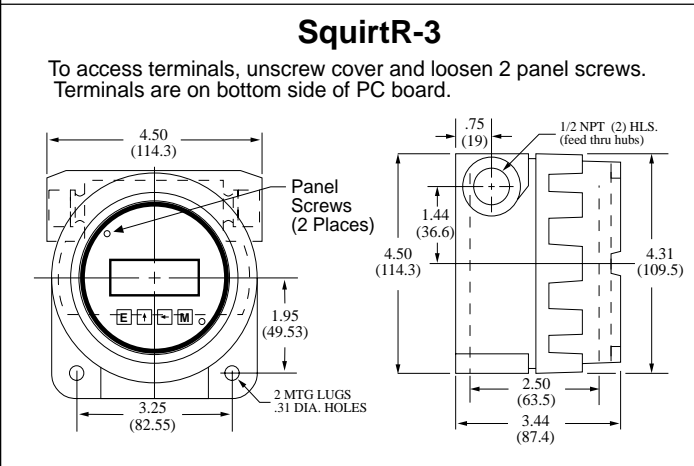
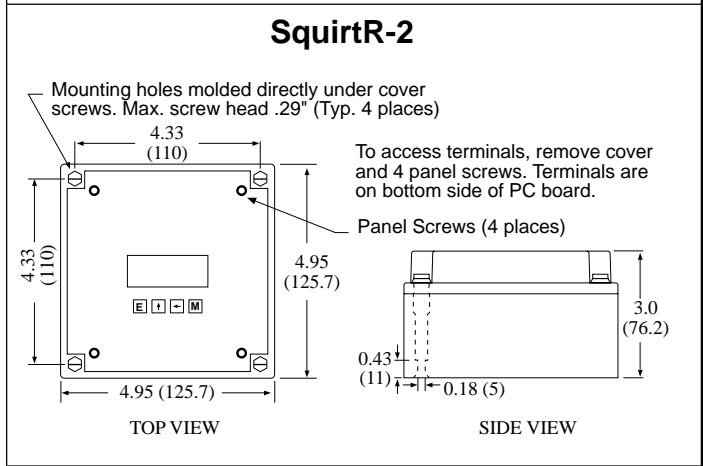
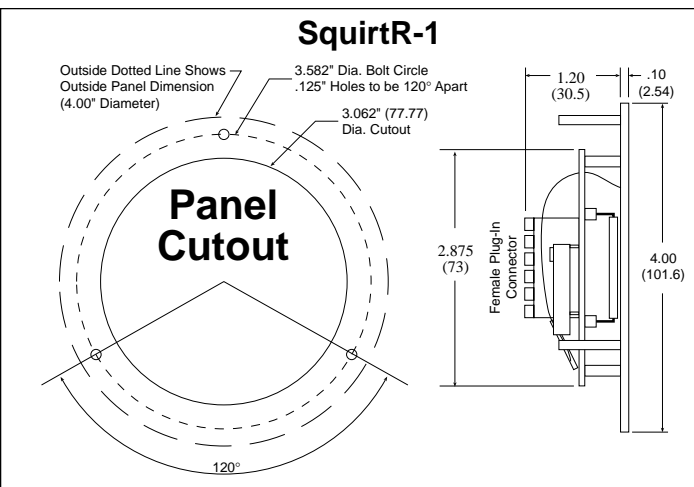
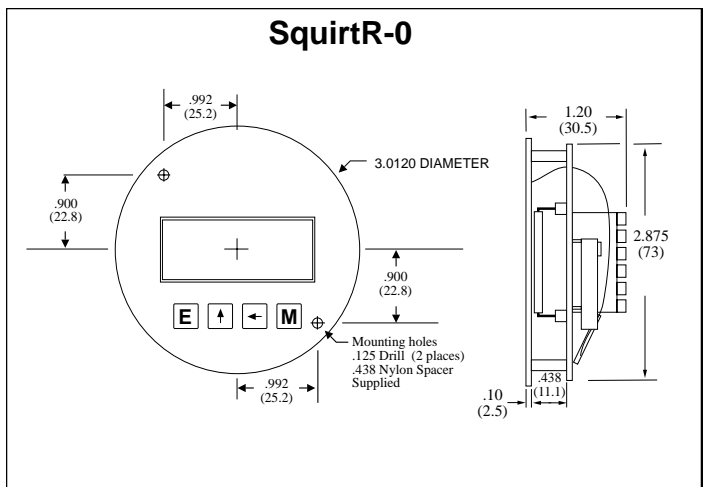
Calibration: Via front keypad

Decimal Point: Via front keypad

Keypad: 4 tactile feedback keys

Mounting Styles:

- 0- Circuit Board - OEM option (consult factory)
- 1- Panel Mount - NEMA 4X Clear Front
- 2- Wall Mount - NEMA 4X Enclosure (unit mounted behind clear cover)
- 3- Explosion Proof - Class I, Division I, Groups B, C & D
Class II, Division I, Groups E, F & G
- 5- Wall Mount - NEMA 4X with keypad mounted outside opaque cover



Ordering Information

Example: **SQUIRTR** **3** **ET**

SQUIRTR _____

Loop powered; Rate Only

Mounting: _____

0 = OEM

1 = Panel Mount

2 = NEMA 4X Box (Squirt behind clear cover)

3 = Explosion Proof Housing

5 = NEMA 4X Box (Squirt outside opaque cover)

Options: _____

ET = Extended Temp.: -22°F to 158°F (-30°C to 70°C)

H2 = 0.875" Hole for mounting styles 2 and 5

HF2 = 0.5" Female NPT Hub fitting

H3 = 1.125" Hole for mounting styles 2 and 5

HF3 = 0.75" Female NPT Hub fitting