

# NEMAtrol

## NEMA 4X/IP65 Enclosures For 'trol & 1/8 DIN Cases

### Features

- Compatible with all Standard Size "trol", SUPERtrol & 1/8 DIN Products
- Meets NEMA 4X/IP65 Specs.
- Quick-Release Latches
- Light Weight

### Application:

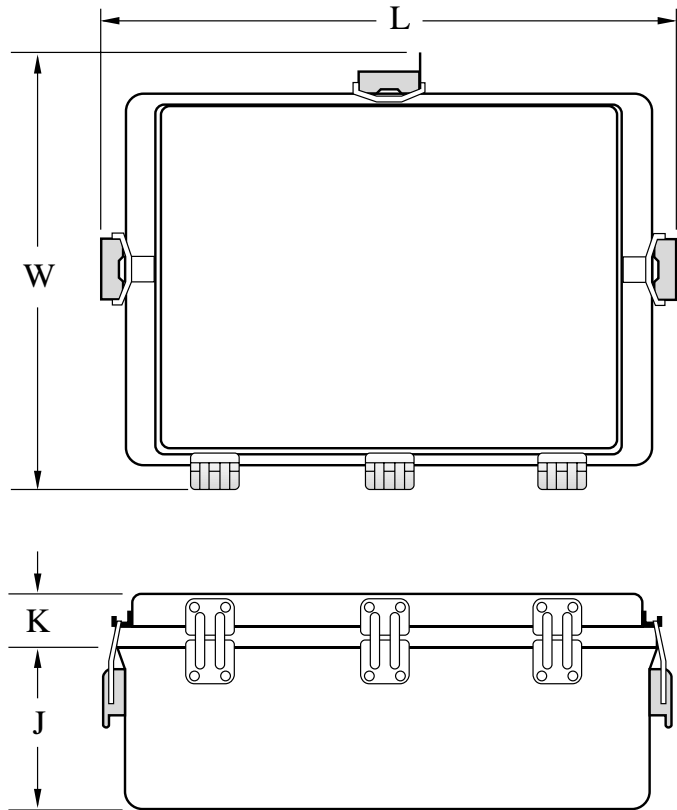
Ideal for use in most petro-chemical plants, sewage plants, food processing areas, packing plants, electro-plating plants, etc.

### Construction:

- Molded fiberglass reinforced polyester material has excellent chemical resistance and outstanding physical properties.
- Fiberglass material is easily punched, drilled, filed or sawed.
- Oil-resistant gasket attached with oil-resistant adhesive.
- The enclosures have corrosion-resistant fiberglass hinges and spring-loaded fiberglass latches attached with monel screws.



### Dimensions:



Physical Properties	Enclosure Value	ASTM Method
Flexural Strength	17,000 PSI	D-790
Heat Distortion	400° F	D-648
Water Absorption (24hrs.)	.5%	D-570
Tensile Strength	6,500 PSI	D-651
Specific Gravity	1.8	D-792
Flammability	94-5V	UL94
Dielectric Strength	400 V.P.M	D-149
Arc Resistance	180 Sec.	D-495

### Ordering Information

#### Part Number

**NEMAtrol4X** (NEMA 4X enclosure for all standard 'trol units 7.365" x 2.495" cutout)

NEMAtrol 4x0 (no cutout)

NEMAtrol 4x1 (1 cutout)

NEMAtrol 4x2 (2 cutouts)

**NEMAST4X** (NEMA 4X enclosure for SUPERtrol series)

NEMAST 4x1 (1- 5.43" x 2.68" cutout for SUPERtrol series)

NEMAST 4x2 (2- 5.43" x 2.68" cutout for SUPERtrol series)

**NEMA-1/8DIN** (NEMA 4X enclosure for all 1/8 DIN size units)

NEMA-1/8DIN 4x0 (no cutout)

NEMA-1/8DIN 4x1 (1 cutout)

NEMA-1/8DIN 4x2 (2 cutouts)

Part Number	W	L	K	J
NEMA-1/8DIN	7.86 (200)	8.97 (228)	1.00 (25)	4.38 (111)
NEMAtrol4X & NEMAST4X	9.86 (250)	12.97 (329)	1.75 (44)	5.13 (130)